



B900 Series



Applicable models:

B921 / B922 / B923 / B924 / B951 / B952 / B953 / B954

Class B AIS Transceiver

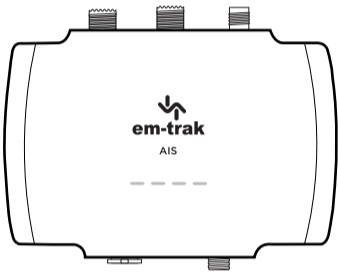
QUICK-START GUIDE



Please refer to the B900 Series user manual for full instructions on installation and configuration. Download it using the above QR code or by going to: www.em-trak.com/installation.

What's in the box?

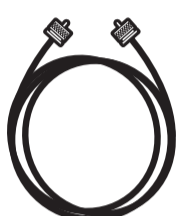
Class B AIS transceiver



2 metre Power and data cable



Micro-USB cable



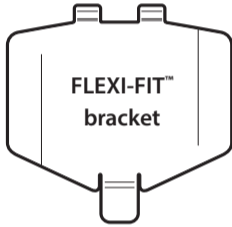
1 metre VHF radio connection cable (Applicable to B923 / B924 / B953 / B954)



Documentation pack

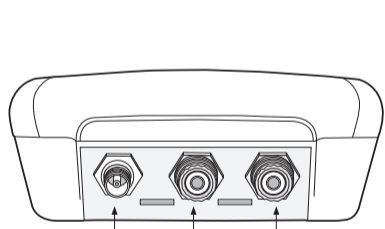
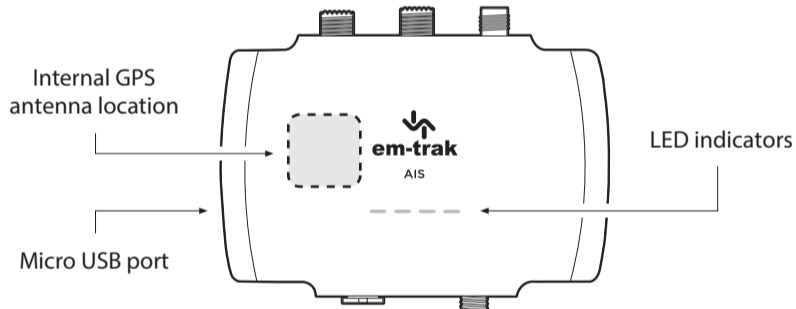


Fixings kit



FLEXI-FIT bracket

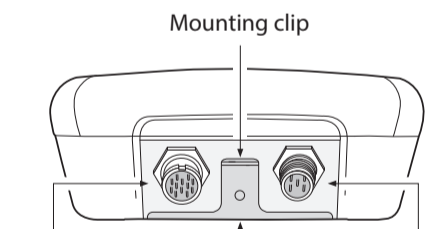
Overview



*GPS antenna

VHF antenna

VHF radio (Applicable to B923, B924, B953 and B954)



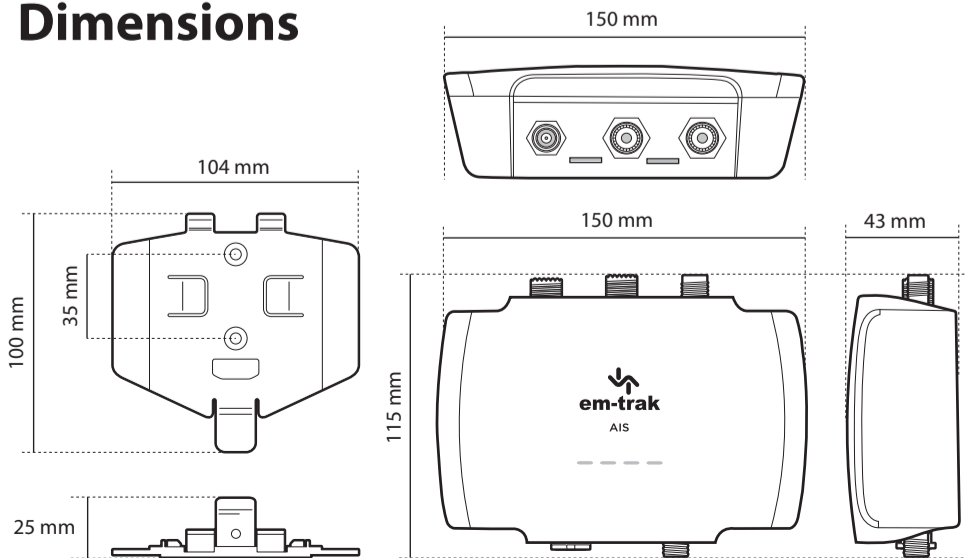
Power and data

Mounting bracket

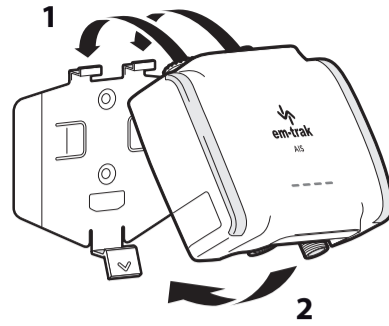
NMEA 2000

* GPS receiver & antenna supports: GPS, GLONASS, Galileo and BeiDou

Dimensions

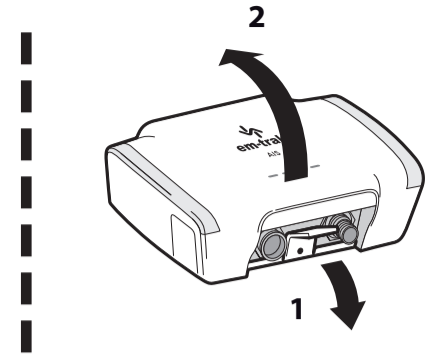


Mounting



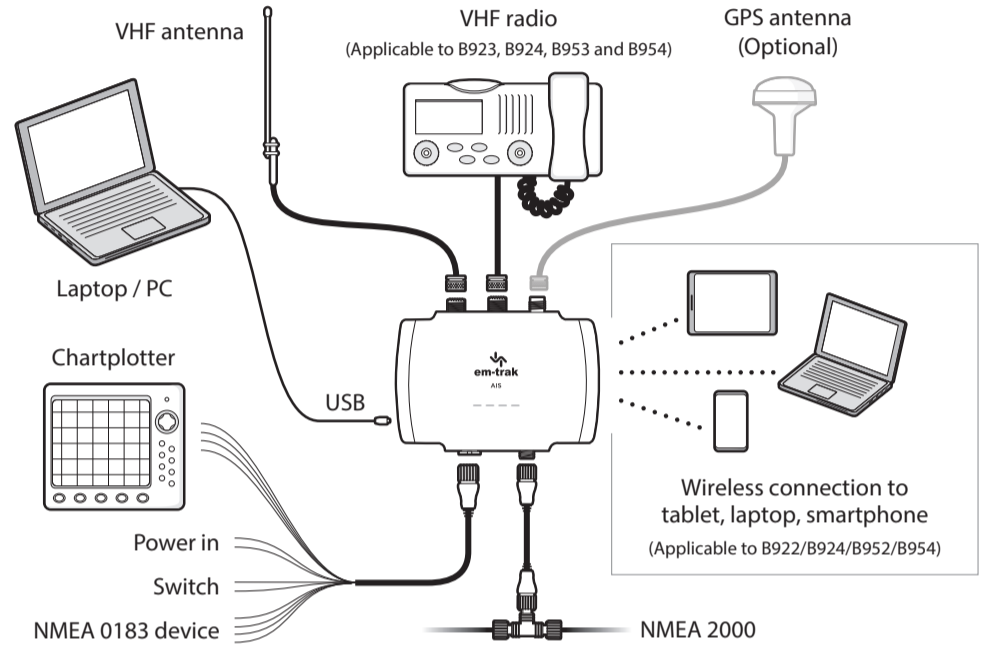
1. Locate and fix mounting bracket
2. Clip transceiver onto bracket
3. If required, tighten security screw

Removal

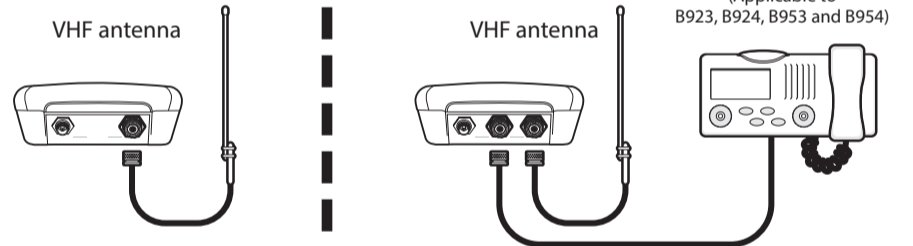


1. Loosen locking screw
2. Release mounting clip with a screwdriver
3. Lift transceiver from bracket

Installation configuration

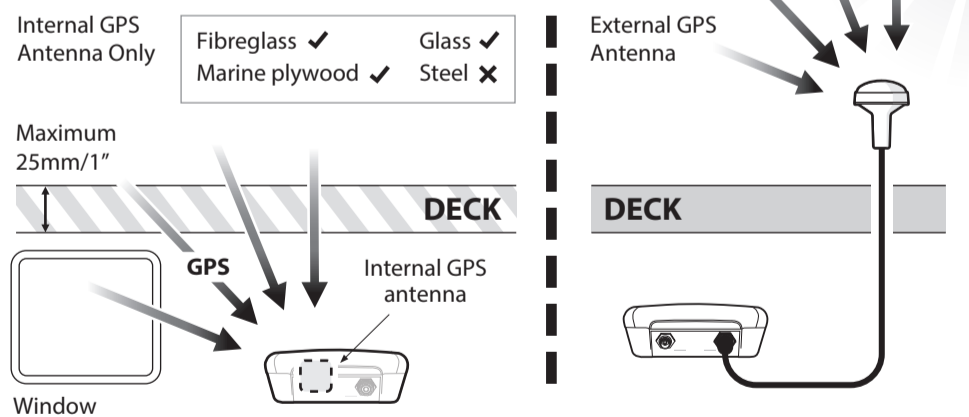


Installing your VHF antenna

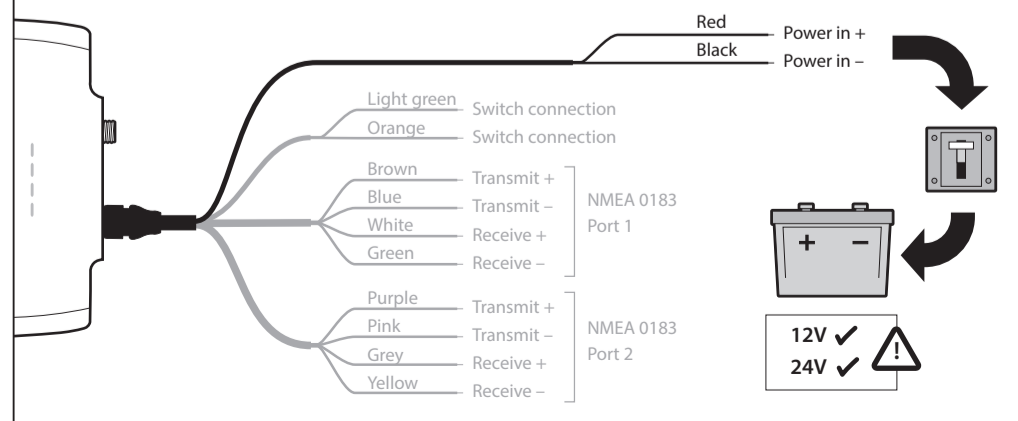


- Ensure your antenna is mounted as high as possible. For optimum performance it should be tuned to operate across the frequency range 156MHz to 162MHz**

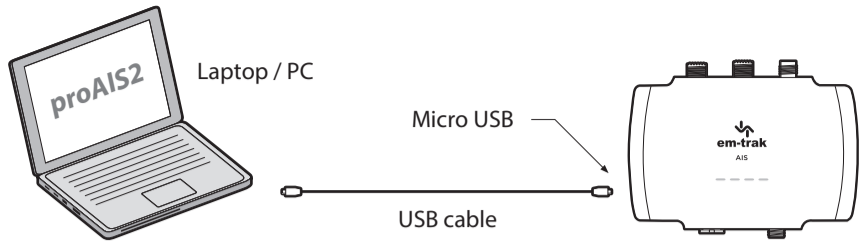
Installing your GPS antenna



Connecting to your power supply

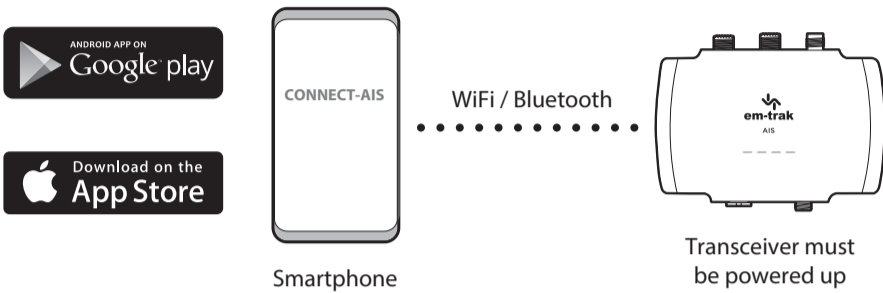


Configuring your transceiver



proAIS2 can be downloaded from <https://em-trak.com/installation/>

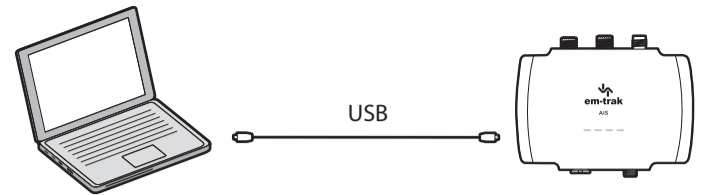
External power not required for USB configuration.



Smartphone

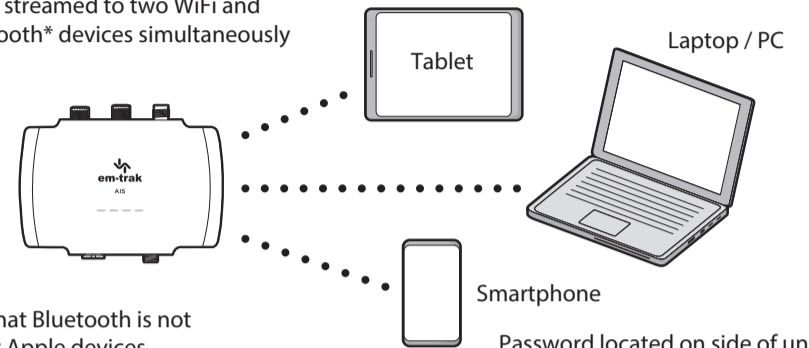
Transceiver must be powered up

Connecting to your PC



Connecting your mobile device

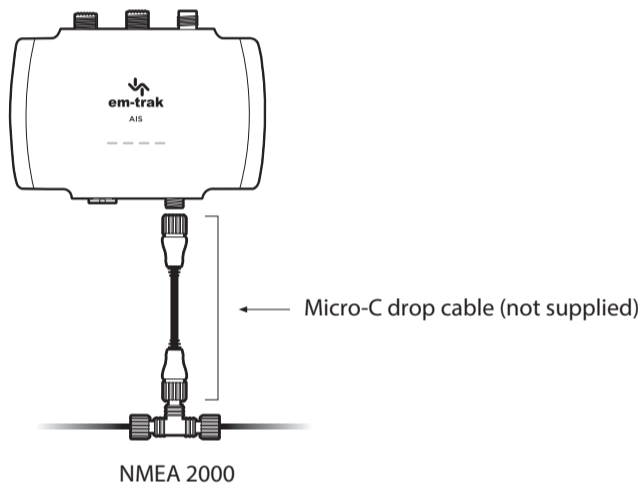
Data can be streamed to two WiFi and seven Bluetooth* devices simultaneously



*Please note that Bluetooth is not supported by Apple devices.

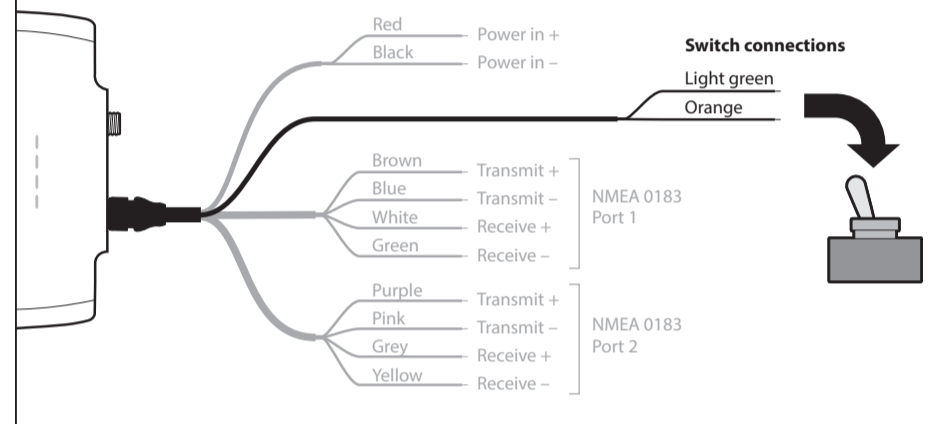
Password located on side of unit

Connecting to your NMEA 2000 network

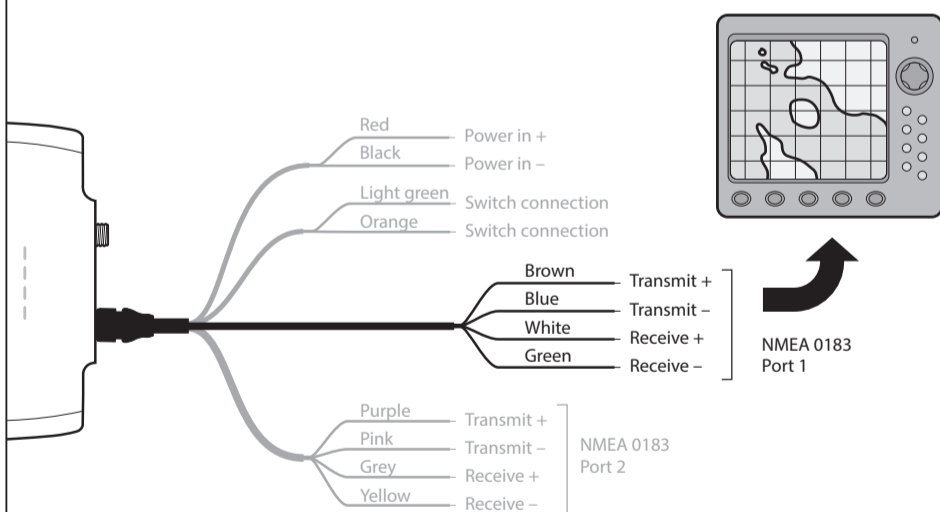


NMEA 2000

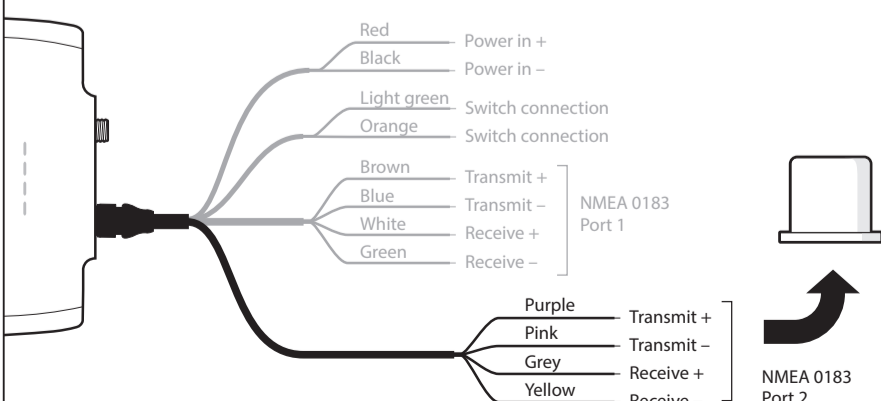
Connecting a silent mode switch



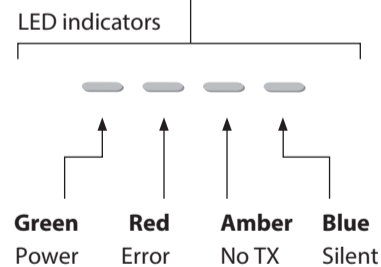
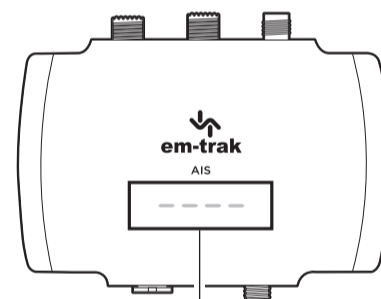
Connecting to your chartplotter



Connecting to your NMEA 0183 sensor



LED indicator functions



Green LED indicator

Indicates that the AIS transceiver is configured, powered up.

Red LED indicator

Indicates that the AIS transceiver has detected a system error. The likely causes of this are detailed in the troubleshooting guide in the B900 Series user manual. Alarms displayed in the Diagnostic tab of the em-trak proAIS2 or in CONNECT-AIS configuration tools will also assist with troubleshooting.

Amber LED indicator

If the LED indicator is flashing it means it is attempting to get a GPS fix. The GPS antenna status can be confirmed using the configuration tools. If the LED indicator is solid it means that the AIS transceiver is not transmitting. This can be for a number of reasons including:

- The AIS radio channels are exceptionally busy so there are currently no available slots for transmission.
- The unit has been in silent mode and after deactivating silent mode this amber LED indicator will illuminate until the first AIS message has been sent.
- The AIS transceiver has been commanded by the local authority (via an AIS base station) to cease transmissions.

Blue LED indicator

Indicates that silent mode is enabled. Silent mode is a feature of the B900 Series that ceases the transmissions from your own vessel, whilst the reception of other vessel position reports continue. You can activate this using the configuration tools or by activating the toggle switch as detailed in the B900 Series user manual.

US customers only



In the USA it is illegal for an end user to configure their own AIS with their vessel data. To do so is a violation of the rules of the United States Coast Guard (USCG). This must be done by a competent installer, such as em-trak, an em-trak dealer or competent marine electronics professional. If your transceiver has not been pre-configured for you please refer to your dealer or contact support@em-trak.com for advice on how to have the transceiver configured legally. If purchasing direct from em-trak online we can configure it for you and dispatch it pre-configured at no extra cost, if you are purchasing from one of our dealers, then they will do it for you.

Head Office:

em-trak Marine Electronics Ltd
Wireless House, Westfield Industrial Estate,
Midsomer Norton, Bath, BA3 4BS, UK
E: support@em-trak.com
T: +44 (0) 1761 409 559, F: +44 (0) 1761 410 093

Regional Office:

em-trak Marine Electronics Ltd
470 Atlantic Avenue, 4th Floor,
Boston, MA 02210, USA
E: enquiries@em-trak.com
T: +1 617 273 8395, F: +1 617 273 8001